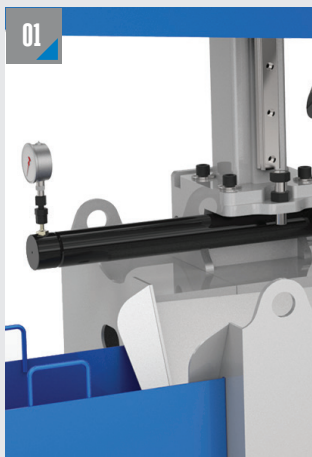


# CSM 400



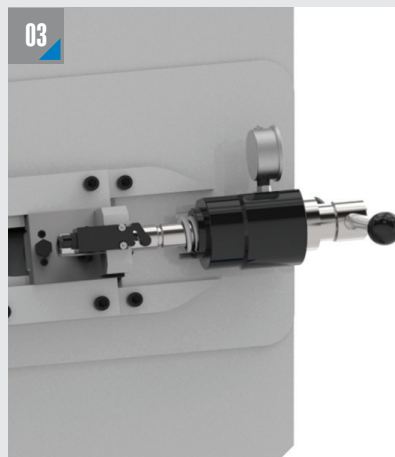
## YARI OTOMATİK HİDROLİK SÜTUNLU TESTERE TEZGAHI SEMI AUTOMATIC DOUBLE COLUMN HYDRAULIC BANDSAW MACHINE



**MALZEME SIKMA SİSTEMİ**  
MATERIAL CLAMPING SYSTEM



**KUMANDA PANELİ**  
CONTROL PANEL



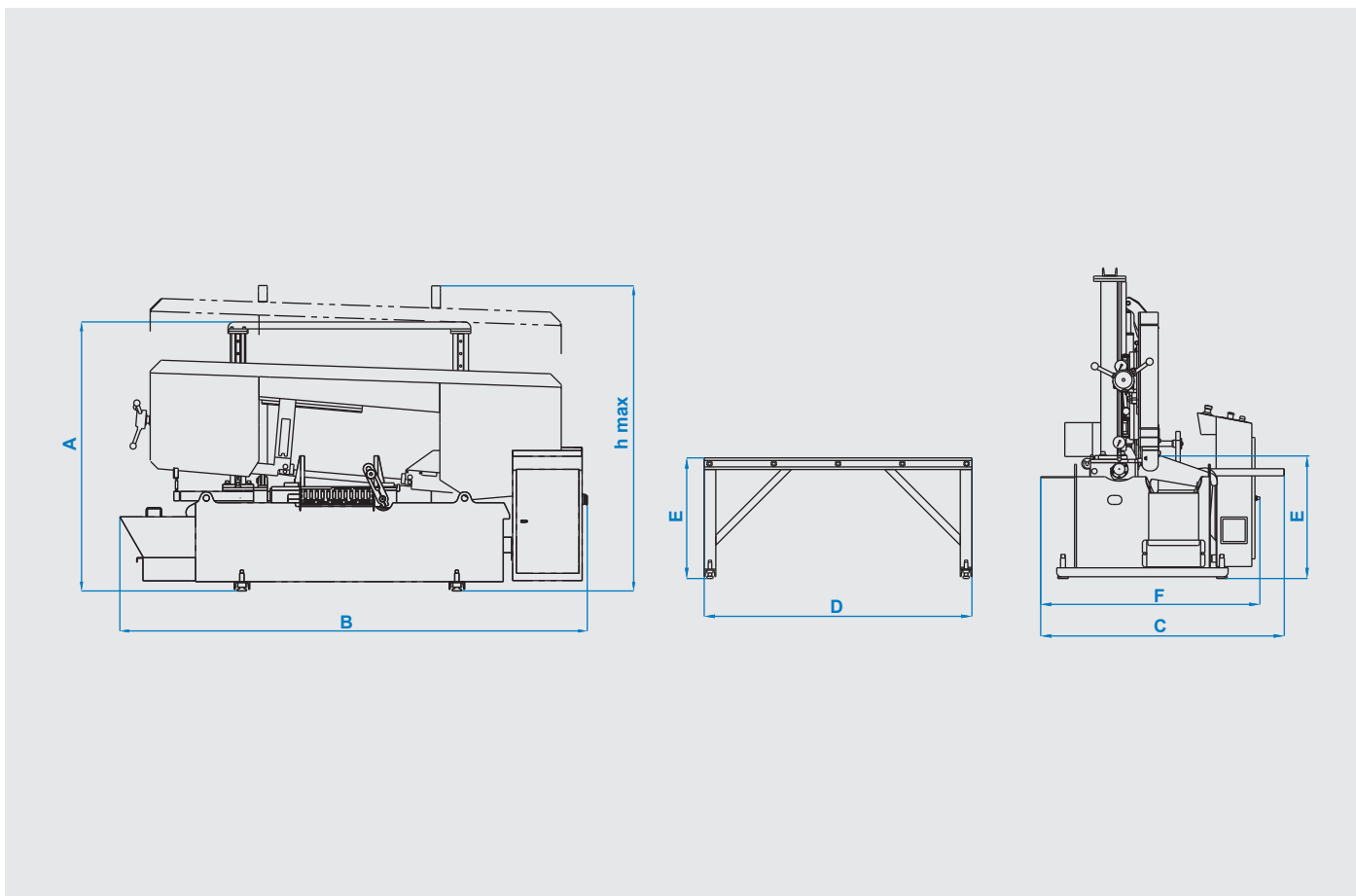
**ŞERİT GERDİRME SİSTEMİ**  
BLADE TENSIONING



**AÇILI KESİM**  
MITER CUTTING

## ÖLÇÜLER DIMENSIONS

## SÜTUNLU MODELLER DOUBLE COLUMN TYPES



## TEKNİK ÖZELLİKLER / TECHNICAL FEATURES

A	1740 mm 68.50 inch	B	3022 mm 118.98 inch	C	1365 mm 53.74 inch	D	1500 mm 59.06 inch	E	675 mm 26.57 inch	F	1228 mm 48.35 inch	hmax	1975 mm 77.76 inch
---	-----------------------	---	------------------------	---	-----------------------	---	-----------------------	---	----------------------	---	-----------------------	------	-----------------------

Yarı Otomatik Semi Automatic	Şerit Ölçüsü Blade Dimension 41 x 1.3 x 5715 mm 1 1/2 x 0.050 x 225 inch	Şerit Motoru Blade Motor 4 kW - 1500 d/d 5.36 hp - 1500 rpm	Sürücü Motor Feeding Motor Manuel Manual
Hidrolik Motor Hydraulic Pump Motor 0.75 kW - 1500 d/dk 1 hp - 1500 rpm	Soğutucu Motor Cooling Liquid Motor 0.12 kW - 3000 d/dk 0.16 hp - 3000 rpm	Voltaj Voltage 400 V 400 V	Maksimum Güç Maximum Power 4.87 kW 6.53 hp
Kesme Hızı Cutting Speed 15 m/dk - 49 m/dk 100 m/dk - 328 ft/min	Ağırlık Weight 1220 kg 2690 lbs	Malzeme Sıkma Sistemi Material Clamping System Hidrolik Hydraulic	Şerit Germe Sistemi Blade Tensioning System Hidromekanik Hydramechanic

Kesim Kapasitesi Cutting Capacity 400 mm 15.74 inch	Kesim Kapasitesi Cutting Capacity 600 mm 23.62 inch	90°	60°	45°	30°	0°	90°	45°	60°
						400 mm 15.75 inch			
						400 mm 15.75 inch			
						400 x 600 mm 15.74 x 23.62 inch			