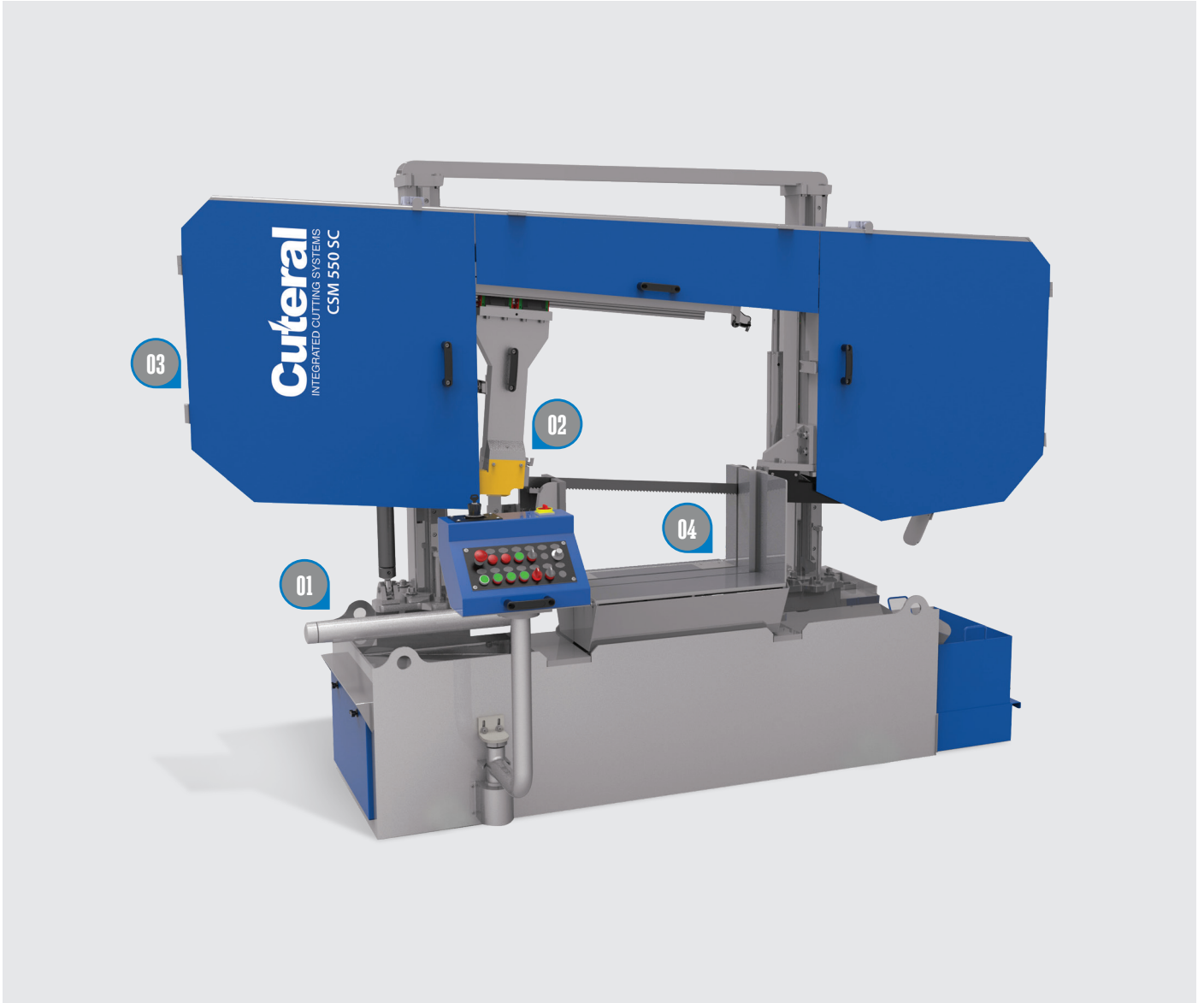
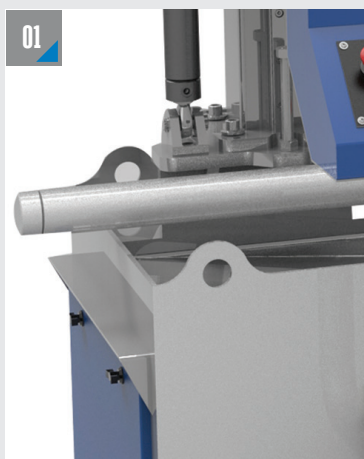


CSM 550 SC



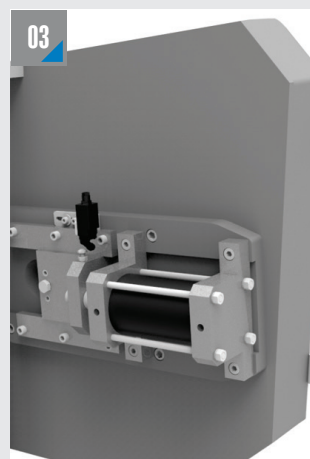
YARI OTOMATİK HİDROLİK SÜTUNLU TESTERE TEZGAHI SEMI AUTOMATIC DOUBLE COLUMN HYDRAULIC BANDSAW MACHINE



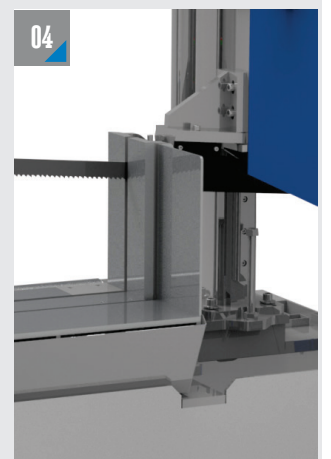
MALZEME SIKMA SİSTEMİ
MATERIAL CLAMPING SYSTEM



HAREKET SİSTEMİ
LINEAR GUIDING



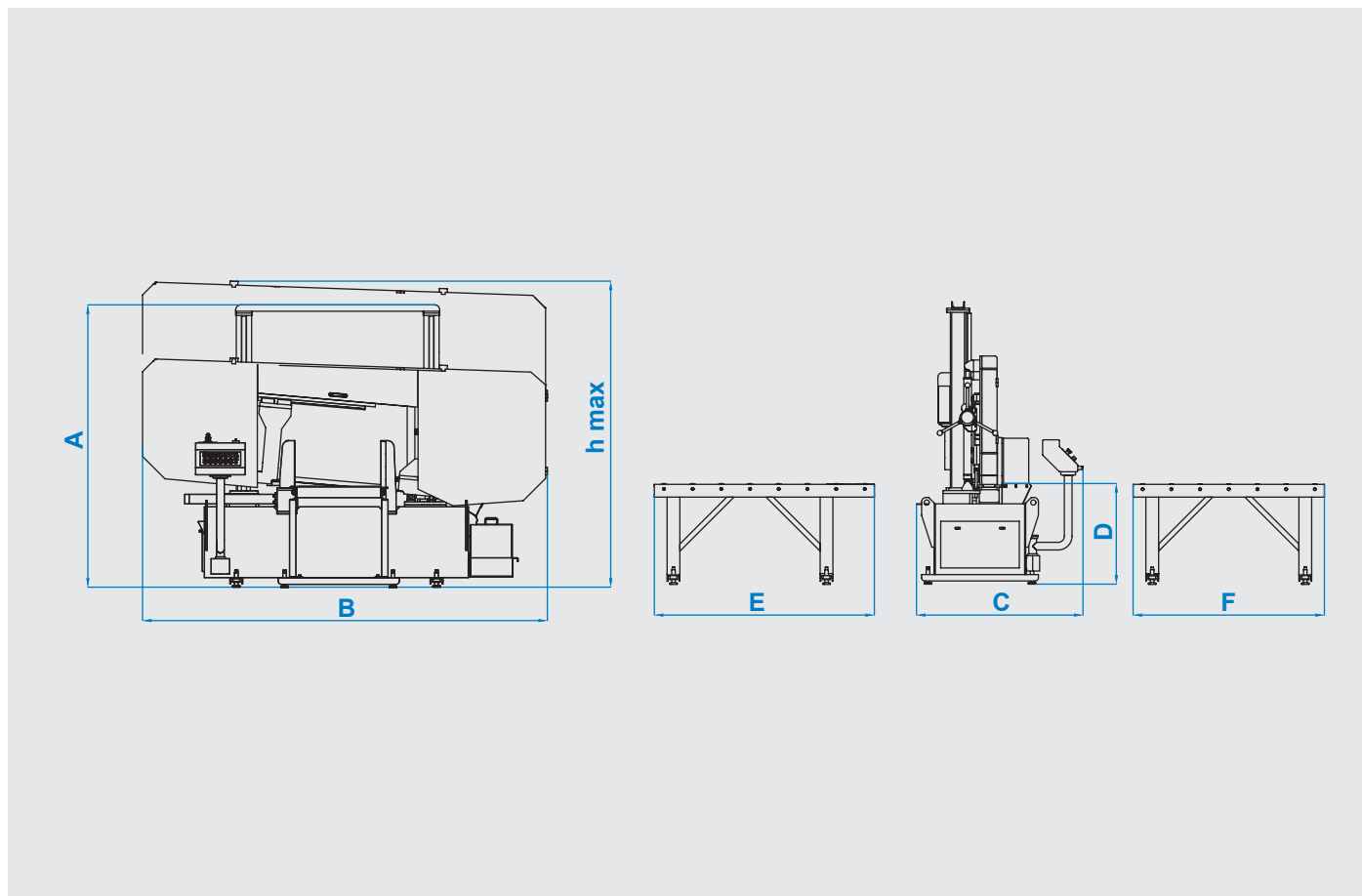
ŞERİT GERDİRME SİSTEMİ
BLADE TENSIONING



MENGENE SİSTEMİ
CLAMPING SYSTEM

ÖLÇÜLER DIMENSIONS

SÜTUNLU MODELLER DOUBLE COLUMN TYPES



TEKNİK ÖZELLİKLER / TECHNICAL FEATURES

A	2215 mm 87.20 inch	B	3165 mm 124.61 inch	C	1305 mm 51.38 inch	D	790 mm 31.10 inch	E	1725 mm 67.91 inch	F	2000 mm 78.74 inch	hmax	2400 mm 94.49 inch
---	-----------------------	---	------------------------	---	-----------------------	---	----------------------	---	-----------------------	---	-----------------------	------	-----------------------

Yarı Otomatik Semi Automatic	Şerit Ölçüsü Blade Dimension 41 x 1.3 x 6850 mm 1 1/2 x 0.050 x 269.6 inch	Şerit Motoru Blade Motor 4 kW - 1000 d/d 5.36 hp - 1000 rpm	Sürücü Motor Feeding Motor Manuel Manual
Hidrolik Motor Hydraulic Pump Motor 1.1 kW - 1500 d/dk 1.48 hp - 1500 rpm	Soğutucu Motor Cooling Liquid Motor 0.12 kW - 3000 d/dk 0.16 hp - 3000 rpm	Voltaj Voltage 400 V 400 V	Maksimum Güç Maximum Power 5.22 kW 7 hp
Kesme Hızı Cutting Speed 15 m/dk - 49 m/dk 100 m/dk - 328 ft/min	Ağırlık Weight 2200 kg 4850 lbs	Malzeme Sıkma Sistemi Material Clamping System Hidrolik Hydraulic	Şerit Germe Sistemi Blade Tensioning System Hidrolik Hydraulic

Kesim Kapasitesi Cutting Capacity 550 mm 21.65 inch	Kesim Kapasitesi Cutting Capacity 650 mm 25.59 inch	mm inch	60°	45°	30°	0°	90°	45°	60°
						550 mm 21.65 inch			
						550 x 550 mm 21.65 x 21.65 inch			
						550 x 650 mm 21.65 x 25.59 inch			